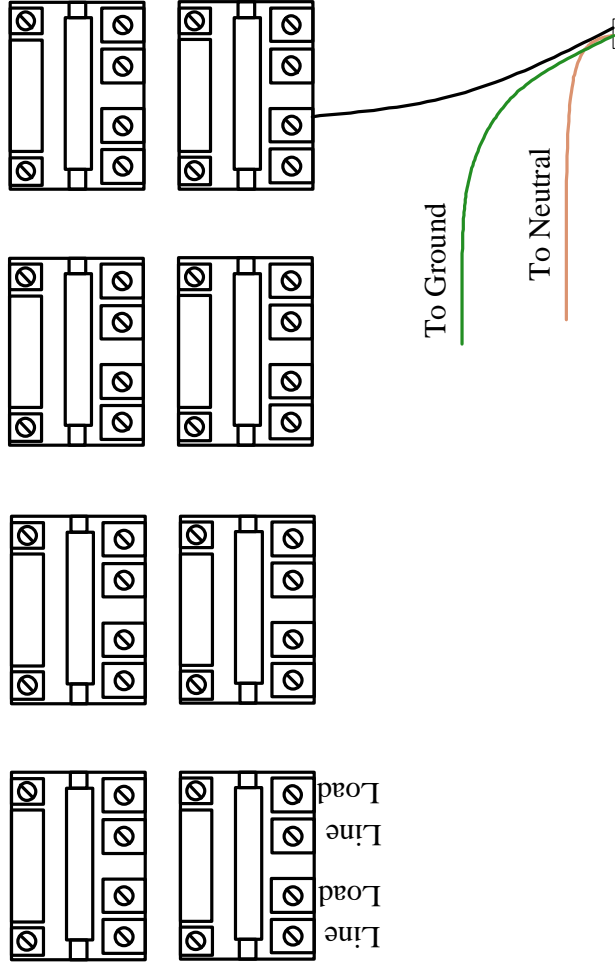


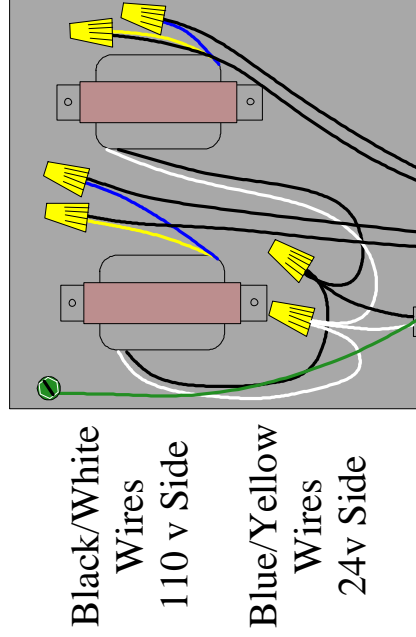


Automated Pool Controller (Aqualink, Pentair Intellitouch, etc.)



Wiring When 2 Fire Features Turned On & Off with One Button

J-Box with 24v Transformers
(One Transformer Needed
For Each Fire Feature)



Conduit to
Each Fire
Feature*

* At right 2 conduit are shown, one to each fire feature. It is possible to daisy chain the conduit and wire run. This would make it possible to run one conduit to the 2 fire features and then link the fire features with conduit.