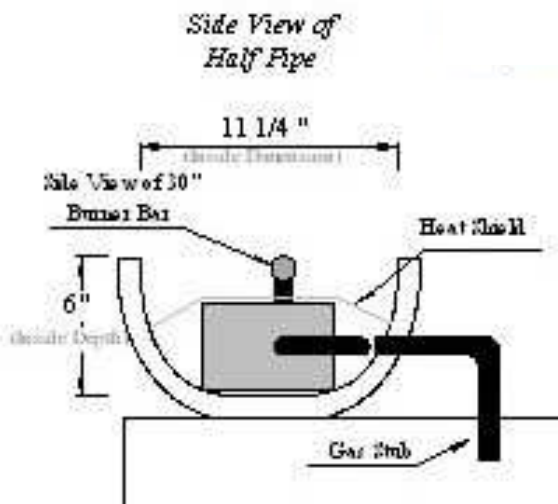
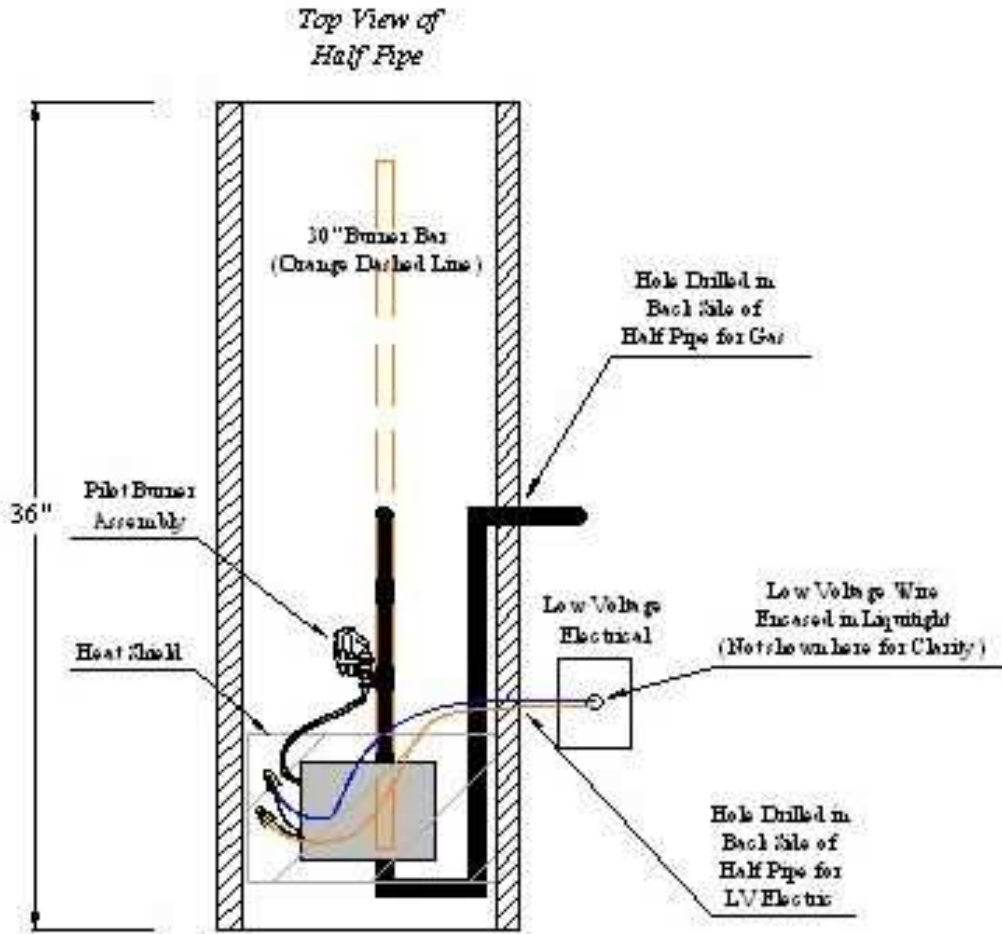




## Weekly Design Idea – Half Pipe Fire Feature

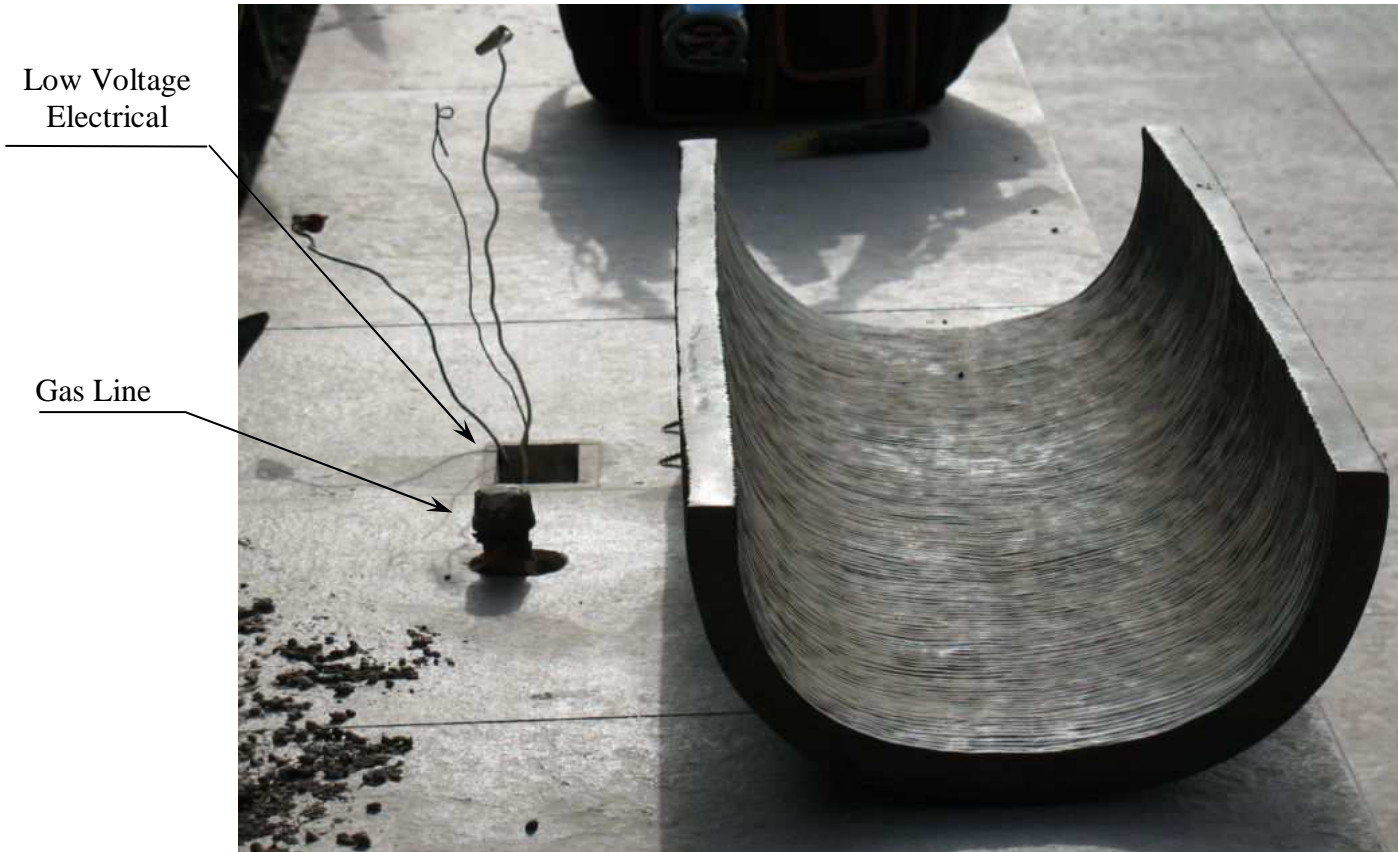


### CAD Drawing – Half Pipe Fire Feature





## Design Notes for Half Pipe Fire Feature



The challenge with this feature was, “How do we fit the Remote Control Module inside a Half Pipe that is only 6” tall”. The way it was done was to lay the Remote Control Module on its side. The width of the Remote Control Module is only 3 ¾” so by laying it down we were able to conserve space which allowed us to install the burner bar AND still have adequate air space between the 30” Burner Bar and the Remote Control Module.