

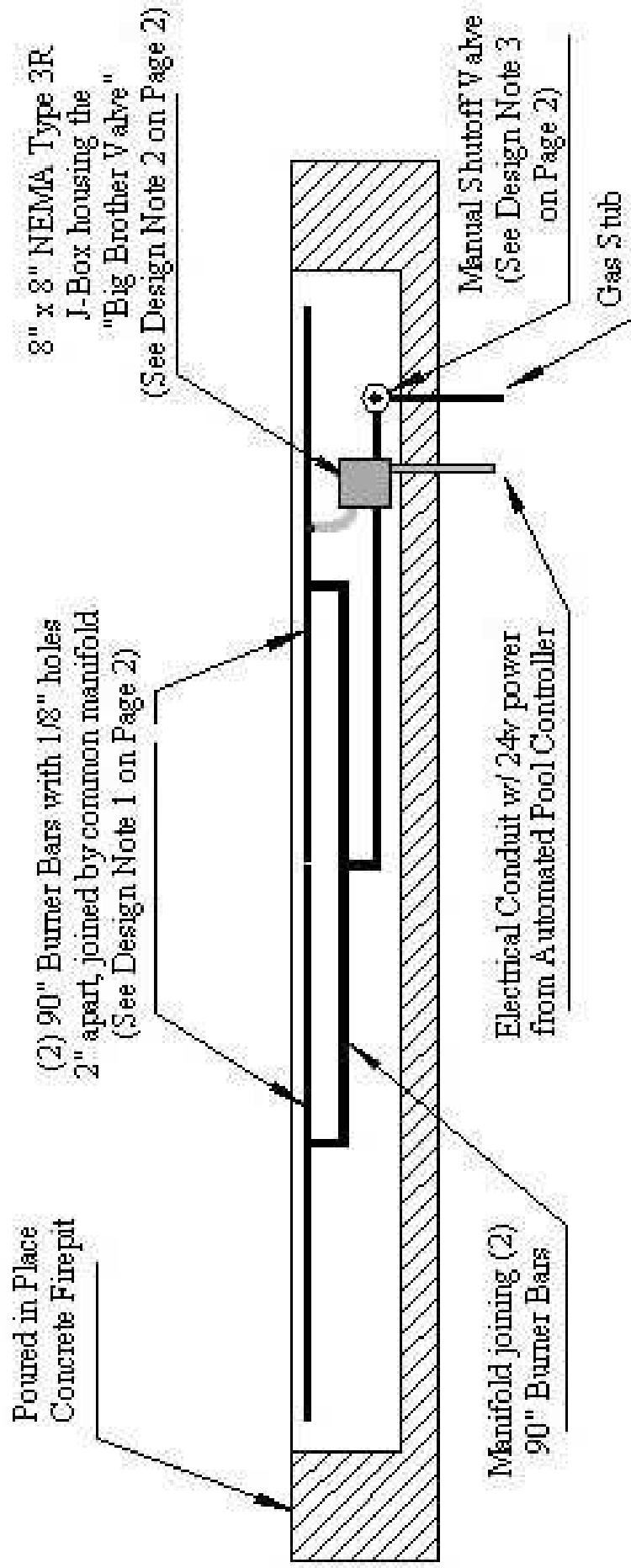


**Fire by Design Weekly Design Idea: Elongated Firepit**



**Remote Controlled 16' Firepit with Waterfalls**

## *Design Idea: Extra Long Firepit*



**Side View of 16' Long Firepit**



## Design Notes for 16' Long Firepit

1. The challenge with burner bars over 8' in length is maintaining a constant flame height from one end to the other. Through experience we learned that in order to overcome this problem the best way to do it was to make two burner bars and join them by a common manifold underneath as shown in the diagram on page 1. If this were a 10' long firepit, we would have used (2) 5' bars joined by a common manifold as well.

2. Not yet advertised on our website but coming soon is the "Big Brother Valve" to the valve we now offer. The valve on our website can deliver 204,000 Btu/hr. The "Big Brother" can deliver 475,000 Btu/hr. The valve is exactly the same size as our standard valve. When calculating the Btu requirements for a Straight or Slightly Curved Burner Bar we multiply the length (in feet) by 20,000 Btu/hr/foot. So for a 16' long firepit we need 320,000 Btu/hr. Since the standard valve only delivers 204,000 Btu/hr we elected to go with the "Big Brother".

3. A standard 1/2" keyed shutoff valve available through Home Depot or any other plumbing supply store significantly restricts the flow of gas. For this long firepit the standard 1/2" key valve was not going to allow enough gas to pass through so we did what we normally do in a situation like this.

On jobs like this that require a significant amount of gas we make our own keyed gas valve from a 3/4" gas ball valve. By taking the red handle off the gas ball valve and doing just a little grinding on the 4 sides of the stub for the handle of the valve, a standard 5/16" gas key valve will fit perfectly on that stub. We still use the escutcheon from the 1/2" standard keyed valve to 'clean up' the look of our modified gas valve and once that is installed you cannot tell whether a standard keyed valve was used or our much larger modified 3/4" gas ball valve was used.